

# HC-M-08-GBIT-CT-F - Contact insert module



1417303

<https://www.phoenixcontact.com/in/products/1417303>

Please be informed that the data shown in this PDF document is generated from our Online Catalog. Please find the complete data in the user documentation. Our General Terms of Use for Downloads are valid.



Contact insert module, number of positions: 8, Socket, Crimp connection, 48 V, 5 A, 0.08 mm<sup>2</sup> ... 0.5 mm<sup>2</sup>, external cable diameter: 5 mm ... 7 mm, application: Data, without crimp contacts

## Commercial Data

Item number	1417303
Packing unit	1 pc
Minimum order quantity	1 pc
Sales Key	BF7
Product Key	BF7ACE
Catalog Page	Page 587 (C-2-2019)
GTIN	4055626112466
Weight per Piece (including packing)	51.134 g
Weight per Piece (excluding packing)	51.134 g
Customs tariff number	85389099
Country of origin	PL

# HC-M-08-GBIT-CT-F - Contact insert module



1417303

<https://www.phoenixcontact.com/in/products/1417303>

## Technical Data

### Notes

General	Connectors may be operated only when there is no load/voltage.
---------	--

### Mounting

Assembly instructions	To ensure correct use, installation in housing with IP54 protection or better is required
Connection method	Crimp connection

### Product properties

Product type	Modular contact insert
Number of positions	8
Sensor type	Ethernet
Connection profile	8
Contact numbering	1 - 8
Application	Data
Number of module slots	1
Contact type	turned
Series	HC-M-08-GBIT

### Insulation characteristics

Overvoltage category	III
Degree of pollution	3

### Connection data

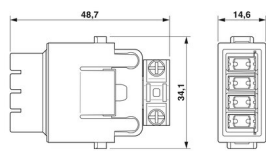
#### Connection technology

Connection technology	Crimp connection
-----------------------	------------------

#### Conductor connection

Conductor cross section	0.08 mm <sup>2</sup> ... 0.5 mm <sup>2</sup>
Connection cross section AWG	28 ... 20
Stripping length of the individual wire	4.2 mm

### Dimensions

Dimensional drawing	
Width	26.35 mm
Height	40.3 mm
Length	13.9 mm

### Mechanical characteristics

# HC-M-08-GBIT-CT-F - Contact insert module



1417303

<https://www.phoenixcontact.com/in/products/1417303>

Contact diameter	1 mm
------------------	------

## Electrical properties

Rated voltage (III/3)	48 V
Rated surge voltage	0.8 kV
Rated current	5 A
Transmission characteristics (category)	CAT6 <sub>A</sub>

## Mechanical properties

### Mechanical data

Insertion/withdrawal cycles	≥ 500
-----------------------------	-------

## Material specifications

Color	light grey
Material Line conductor	Zinc alloy
Flammability rating according to UL 94	V0
Contact material	Copper alloy
Contact surface material	Au
Contact carrier material	PC
Standards/regulations	PC: Fire protection in rail vehicles - requirement sets R22, R23, and R24 acc. to DIN EN 45545-2 (Risk level HL1 - HL3)

## Environmental and real-life conditions

### Ambient conditions

Ambient temperature (operation)	-40 °C ... 85 °C (including heating up of contacts)
---------------------------------	---

## Standards and regulations

### Testing

Standards/regulations	PC: Fire protection in rail vehicles - requirement sets R22, R23, and R24 acc. to DIN EN 45545-2 (Risk level HL1 - HL3)
-----------------------	---

Phoenix Contact 2023 © - all rights reserved  
<https://www.phoenixcontact.com>

PHOENIX CONTACT (I) Pvt. Ltd.  
A-58/2, Okhla Industrial Area, Phase - II, New Delhi-110 020

+91.1275.71420  
[info@phoenixcontact.co.in](mailto:info@phoenixcontact.co.in)